

SERVICE MANUAL

COLOR TELEVISION

- This Service Manual contains information about the difference between TV-A1410(KERJ74M,KERJL4M,KEJL6CM) and TV-A1410(KER). If requiring the other information, see Service Manual of TV-A1410(KER). (S/M Code No. 09-99C-419-6R1).

SPECIFICATIONS

Tuner System	Frequency synthesized tuner
TV System	PAL (B/G,D,K) SECAM (B/G,DK,K1) NTSC
Channel Coverage	VHF: E2 to E12, R1 to R12 UHF: 21 to 69 CATV: S1 to S41
Program Memory	100 TV stations
Antenna Input	75 ohms, unbalanced
Picture Tube	14"
Screen Size	280 (W) X 211 (H) mm ($11\frac{1}{8}$ x $8\frac{3}{8}$ in.) 335 mm (diagonal) ($13\frac{1}{4}$ in.)
Video Input/Output	1Vp-p., 75 ohms
Audio Input	-8dBs., more than 33 kohms
Audio Output	-8dBs., more than 2.2 kohms
Speaker	50 X 120 mm : 2 (2 X $4\frac{3}{4}$ in.)
Operatiing Voltage	110-240 V AC, 50/60 Hz
Power Consumption	75 W (Standby mode : 13.5 W)
Phone Jack	Stereo-mini jack
Operating Temperature	5 °C – 40 °C
Operating Humidity	35 % – 80 %
Dimensions	450 (W) X 320 (H) X 375 (D) mm ($17\frac{3}{4}$ x $12\frac{5}{8}$ x $14\frac{7}{8}$ in.)
Weight	10.2 kg (22.4 lbs.)

- Design and specifications are subject to change without notice.
- The word "BBE" and the "BBE symbol" are the trademarks of BBE Sound,Inc.
Under the license from BBE sound,Inc.

ACCESSORIES / PACKAGE LIST

REF. NO.	PART NO.	KANRI NO.	DESCRIPTION
1	8Z-JBB-901-010	IB,KE (E)	<KEJL6CM>
1	8Z-JB9-901-110	IB,KE (ERAP)	A2110/2010/1410 < KERJ74M, KERJL4M>
2	8Z-JB4-954-010	RC UNIT,	RC-ZVT04
3	86-LB3-610-010	ANT ASSY,	TV 5 SEC. (PAL)

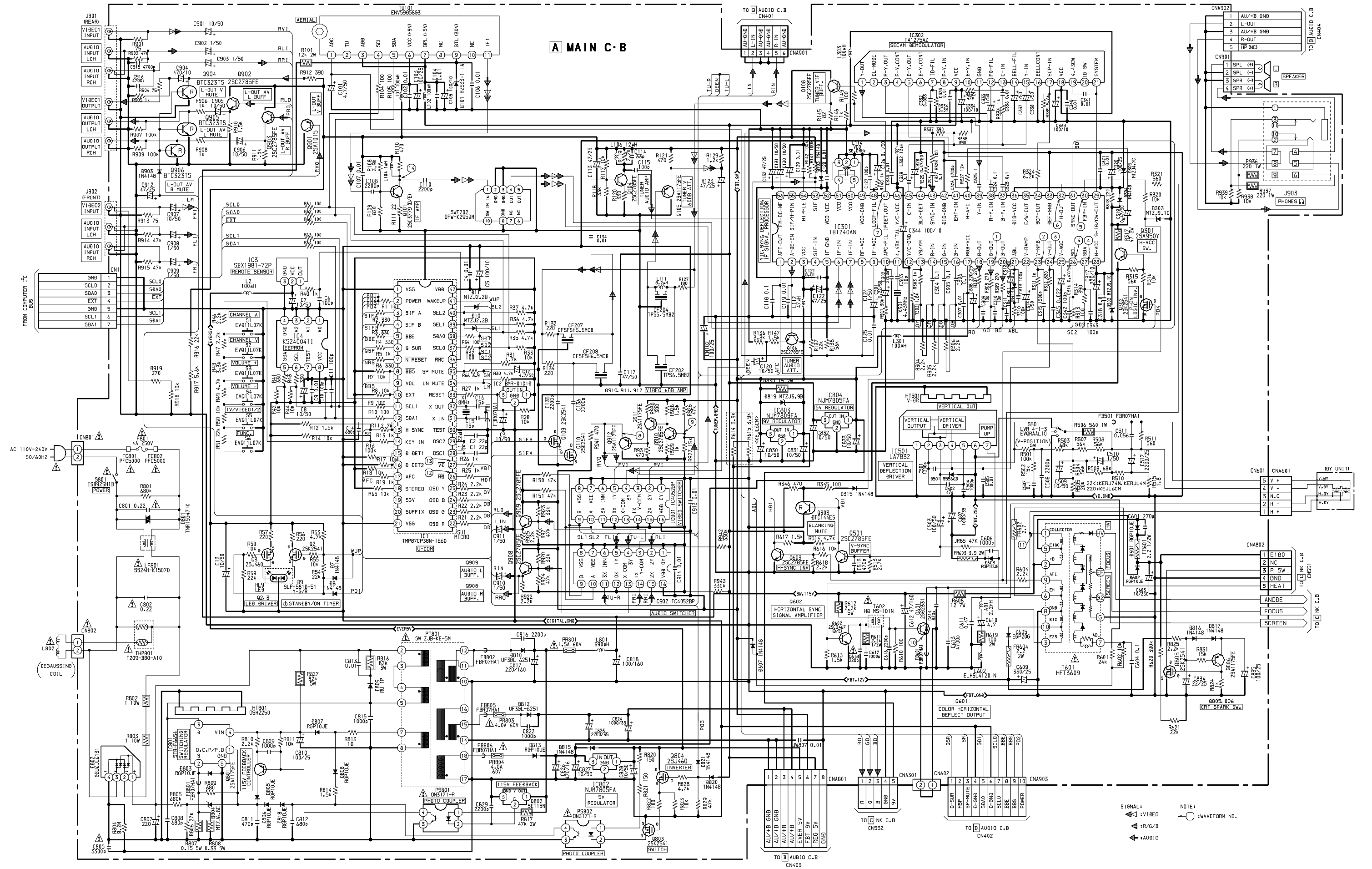
ELECTRICAL MAIN PARTS LIST

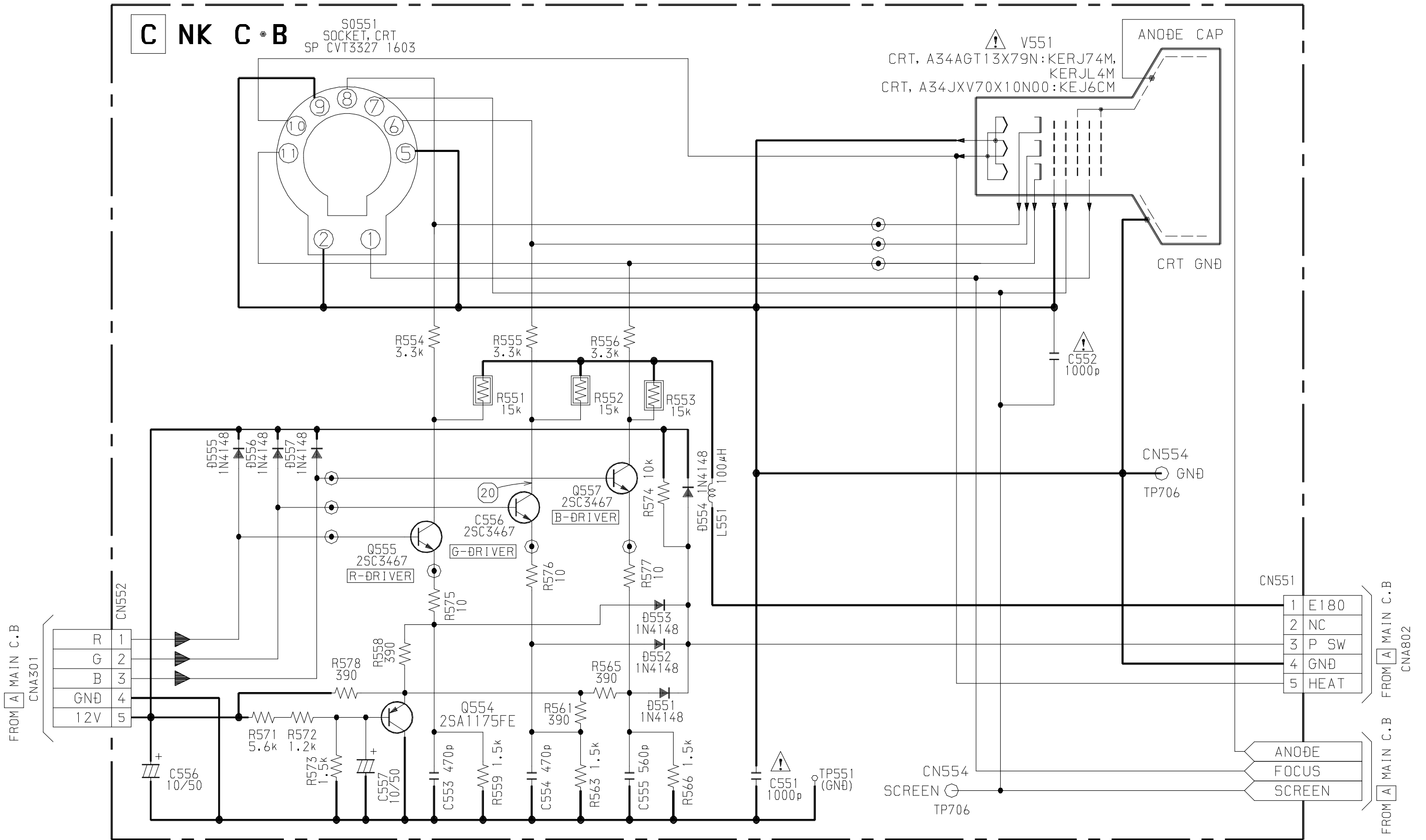
REF. NO.	PART NO.	KANRI NO.	DESCRIPTION	REF. NO.	PART NO.	KANRI NO.	DESCRIPTION
IC				C101	87-010-404-080		CAP, ELECT 4.7-50V
	8Z-JB9-651-010		IC, TMP87CP38N-1E60	C102	87-018-134-080		CAPACITOR, TC-U 0.01-16
	87-A21-133-080		IC, BMR-0101D	C103	87-010-384-080		CAP, ELECT 100-25V
	87-A91-538-010		RCR UNIT, SBX1981-72P	C104	87-018-134-080		CAPACITOR, TC-U 0.01-16
	87-A21-433-010		IC, KS24C041I	C105	87-010-263-080		CAP, E 100-10 SME
	87-027-666-010		IC, TC4052BP	C106	87-A10-207-080		CAP, TCS 0.01-50KBUP050
	87-A21-165-010		IC, TB1240AN	C107	87-018-134-080		CAPACITOR, TC-U 0.01-16
	87-A21-166-010		IC, TA1275AZ	C108	87-018-132-080		CAP, CER 2200P-16V
	87-A21-259-010		IC, MM1454XD	C110	87-018-132-080		CAP, CER 2200P-16V
	87-A21-345-010		IC, NJM2150	C113	87-010-260-080		CAP, ELECT 47-25V
	87-A20-312-010		IC, M62420SP	C114	87-018-113-080		CAP, CER 33P-50V
	87-A21-299-010		IC, LA6458SLL	C115	87-018-119-080		CAP, CER 100P-50V
	87-A21-169-010		IC, MM1124B	C120	87-010-405-080		CAP, ELECT 10-50V
	87-A21-168-010		IC, AN5276	C121	87-018-134-080		CAPACITOR, TC-U 0.01-16
	87-070-237-010		IC, LA7832	C122	87-010-260-080		CAP, ELECT 47-25V
	87-A21-343-010		IC, STR-F6654	C124	87-010-401-080		CAP, ELECT 1-50V
	87-020-903-010		IC, NJM7805FA	C125	87-018-134-080		CAPACITOR, TC-U 0.01-16
	87-A20-389-010		IC, NJM7809FA	C126	87-010-544-080		CAP, ELECT 0.1-50V
				C127	87-018-119-080		CAP, CER 100P-50V
				C128	87-018-134-080		CAPACITOR, TC-U 0.01-16
TRANSISTOR				C129	87-018-134-080		CAPACITOR, TC-U 0.01-16
	87-A30-066-080		TR, 2SA1175FE	C130	87-010-405-080		CAP, ELECT 10-50V
	87-A30-090-080		FET, 2SK2541	C131	87-010-405-080		CAP, ELECT 10-50V
	87-A30-091-080		FET, 2SJ460	C132	87-010-260-080		CAP, ELECT 47-25V
	89-337-794-580		TR, 2SC3779 D/E	C134	87-018-134-080		CAPACITOR, TC-U 0.01-16
	87-A30-065-080		TR, 2SC2785FE	C135	87-018-132-080		CAP, CER 2200P-16V
	87-026-218-080		TR, DTC144ES (0.2W)	C136	87-018-132-080		CAP, CER 2200P-16V
	87-A30-121-080		TR, DTC323 TS	C301	87-010-545-080		CAP, ELECT 0.22-50V
	87-A30-051-010		TR, 2SD2331	C302	87-018-132-080		CAP, CER 2200P-16V
	89-334-674-580		TR, 2SC3467 D/E	C303	87-018-147-080		CAP, TC-U 10P-50 CH
	87-A30-041-110		TR, SE115N	C307	87-018-134-080		CAPACITOR, TC-U 0.01-16
	89-110-155-080		TR, 2SA1015GR	C308	87-010-385-080		CAP, ELECT 220-25V
	89-109-504-080		TR, 2SA950Y	C309	87-018-147-080		CAP, TC-U 10P-50 CH
				C310	87-018-147-080		CAP, TC-U 10P-50 CH
				C311	87-018-147-080		CAP, TC-U 10P-50 CH
DIODE				C312	87-010-404-080		CAP, ELECT 4.7-50V
	87-070-345-080		DIODE, 1N4148	C313	87-018-119-080		CAP, CER 100P-50V
	87-070-444-080		ZENER, HZS33-1TA	C314	87-010-401-080		CAP, ELECT 1-50V
	87-A40-235-080		ZENER, MTZJ9.1C	C315	87-018-196-080		CAP, CER 1500P-16V
	87-A40-350-080		ZENER, MTZJ 4.7C	C316	87-010-400-080		CAP, ELECT 0.47-50V
	87-A40-347-080		ZENER, MTZJ2.2B	C317	87-010-248-080		CAP, ELECT 220-10V
	87-070-092-080		DIODE, S5566B	C318	87-018-134-080		CAPACITOR, TC-U 0.01-16
	87-A40-286-080		DIODE, RGP10JE-5025	C319	87-010-400-080		CAP, ELECT 0.47-50V
	87-A90-965-010		VRIS, TNR15G471K	C320	87-010-384-080		CAP, ELECT 100-25V
	87-017-654-060		DIODE, GBU6JL6131	C321	87-018-134-080		CAPACITOR, TC-U 0.01-16
	87-A40-509-080		ZENER, MTZJ6.8C	C323	87-018-209-080		CAP, CER 0.1-50V
	87-A40-450-090		DIODE, RU 1P	C324	87-018-209-080		CAP, CER 0.1-50V
	87-A40-354-090		DIODE, UF3GL-6251	C328	87-010-400-080		CAP, ELECT 0.47-50V
	87-A40-611-080		ZENER, MTZJ3.9B	C330	87-018-134-080		CAPACITOR, TC-U 0.01-16
	87-A40-794-080		DIODE, EGP20G	C333	87-018-134-080		CAPACITOR, TC-U 0.01-16
				C334	87-010-263-080		CAP, ELECT 100-10V
				C335	87-010-401-080		CAP, ELECT 1-50V
MAIN C.B				C336	87-018-134-080		CAPACITOR, TC-U 0.01-16
C1	87-A11-073-080		CAP, TC U 22P-50 J CH	C337	87-010-401-080		CAP, ELECT 1-50V
C2	87-A11-073-080		CAP, TC U 22P-50 J CH	C338	87-010-401-080		CAP, ELECT 1-50V
C3	87-010-405-080		CAP, ELECT 10-50V	C339	87-010-263-080		CAP, ELECT 100-10V
C4	87-018-134-080		CAPACITOR, TC-U 0.01-16	C340	87-018-134-080		CAPACITOR, TC-U 0.01-16
C5	87-010-405-080		CAP, ELECT 10-50V	C341	87-018-134-080		CAPACITOR, TC-U 0.01-16
C6	87-018-119-080		CAP, CER 100P-50V	C342	87-018-119-080		CAP, CER 100P-50V
C7	87-010-405-080		CAP, ELECT 10-50V	C343	87-018-119-080		CAP, CER 100P-50V
C8	87-010-405-080		CAP, ELECT 10-50V	C501	87-018-195-080		CAP, CER 1200P-16V
C9	87-018-134-080		CAPACITOR, TC-U 0.01-16	C502	87-018-115-080		CAP, CER 47P-50V
C10	87-018-119-080		CAP, CER 100P-50V	C503	87-010-247-080		CAP, ELECT 100-50V
C11	87-018-119-080		CAP, CER 100P-50V	C509	87-010-405-080		CAP, ELECT 10-50V
C13	87-010-405-080		CAP, ELECT 10-50V	C510	87-010-401-080		CAP, ELECT 1-50V
C14	87-018-129-080		CAP, TC-U 680P-50 B	C511	88-708-980-810		CAP, M 0.056-100 J AMZV
C15	87-018-149-080		CAP, TC-U 15P-50 CH	C512	87-A10-011-090		CAP, E 2200-25 SMG
C16	87-018-149-080		CAP, TC-U 15P-50 CH	C513	87-018-127-080		CAP, CER 470P-50V
				C601	87-A10-406-010		CAP, CER 270P-2K K BN DE
C17	87-010-404-080		CAP, ELECT 4.7-50V	C603	87-A12-023-080		CAP, E 10-250 M SME

REF. NO.	PART NO.	KANRI NO.	DESCRIPTION	REF. NO.	PART NO.	KANRI NO.	DESCRIPTION
C606	87-016-515-080		CAP,CER 1000P-1K B	CNA902	8Z-JB4-660-010		CONN ASSY,5P 401-481 AUDIO
C607	87-010-397-090		CAP,E 1000-35 SME	CNA903	8Z-JB9-661-010		CONN ASSY,10P MAIN-AUDIO
C609	87-010-386-080		CAP,E330-25 SME	D9	87-A40-422-010		LED,SLP-581D-51 Y-G/R
C610	87-016-217-080		CAP,E 4.7-160	△ FB01	87-035-458-010		FUSE,4A 250V T W/C
C611	87-A11-052-010		CAP,PP 0.47-250 J	FB1	87-003-320-080		F-BEAD,FBR07HA121NB
C612	87-A12-181-090		CAP,E 47-160 M SMG	FB501	87-003-320-080		F-BEAD,FBR07HA121NB
C613	87-A11-332-090		CAP,M/P 4700P-1.6K H	FB601	87-003-320-080		F-BEAD,FBR07HA121NB
C614	87-012-396-090		CAP,CER 820P-2K K BN DE	FB801	87-003-320-080		F-BEAD,FBR07HA121NB
C615	87-012-406-090		CAP,CER 2200P-2K K BN DE	FB802	87-003-320-080		F-BEAD,FBR07HA121NB
C616	87-018-132-080		CAP, CER 2200P-16V	FB805	87-003-320-080		F-BEAD,FBR07HA121NB
△ C617	87-010-976-080		CAP,CER 1000P-500 B	△ FB806	87-003-320-080		F-BEAD,FBR07HA121NB
△ C618	87-010-974-080		CAP,CER 220P-500 B	△ FC801	87-033-213-080		CLAMP, FUSE
△ C801	87-A10-688-090		CAP,M/P 0.22-275 K (B81133)	△ FC802	87-033-213-080		CLAMP, FUSE
△ C802	87-A10-688-090		CAP,M/P 0.22-275 K (B81133)	FR601	87-A00-063-060		RES, FUSE 2.2-1/2W J
△ C805	87-012-370-010		CAP,CER 3300P-250ME	FR602	87-A00-263-090		RES, FUSE 2.7-2W J
C807	87-A10-646-090		CAP,E 220-400 SMH (25.4*40)	FR603	87-029-150-090		RES, FUSE 3.9-2W J
C808	87-A10-684-010		CAP,CER 680P-2K K BN DE	FR604	87-A00-055-060		RES, FUSE 2.2-2W J
C809	87-018-131-080		CAP, CER 1000P-50V	FR606	87-A00-049-060		RES, FUSE 2.2K-1/2W J
C810	87-010-384-080		CAP, ELECT 100-25V	HL9	84-LB3-216-010		HLD, LED
C811	87-018-127-080		CAP, CER 470P-50V	J901	87-A60-324-110		JACK,PIN 6P Y-W-R W/SW
C812	87-018-129-080		CAP, CER 680P-50V	J902	87-A61-021-010		JACK,PIN 3P W/SW YKC21-5734
C813	87-A10-626-090		CAP,M/P 0.01-1250 J	J903	87-A60-858-010		JACK,3.5 BLK ST 2 SW
C815	87-A11-779-090		CAP,M/P 1000P-1.6K J ECWH(VB)	JW807	87-018-134-080		CAP,TC U 0.0-16 N Y
C816	87-A10-867-090		CAP,CER 2200P-2K K R	L1	87-003-147-080		COIL, 22UH
C817	87-A10-731-090		CAP,E 220-160 M KMF	L2	87-003-152-080		COIL, 100UH
C818	87-016-221-090		CAP,E 100-160 M TWSS	L101	87-005-444-080		COIL 100UH,K
C822	87-A10-832-080		CAP,CER 1000P-1K KR	L102	87-003-152-080		COIL, 100UH
C823	87-010-398-090		CAP,E 2200-35V	L104	87-003-097-080		COIL,1.0UH K LAL02
C824	87-A12-032-080		CAP,E 1000-35 SME	L106	87-003-282-080		COIL,12UH
C826	87-010-235-080		CAP,E 470-16 SME	L111	87-003-145-080		COIL,8.2UH
C827	87-010-405-080		CAP, ELECT 10-50V	L112	87-003-149-080		COIL,47UH
C828	87-010-405-080		CAP, ELECT 10-50V	L114	87-A50-530-010		COIL,VCO38.0MHZ
C829	87-A10-469-080		CAP,CER 2200P-500 K B DD10	L301	87-005-444-080		COIL 100UH,K
C830	87-010-405-080		CAP, ELECT 10-50V	L302	87-005-474-080		COIL,12UH J FLR50
C831	87-010-405-080		CAP, ELECT 10-50V	L303	87-005-444-080		COIL 100UH,K
C832	87-010-405-080		CAP, ELECT 10-50V	L601	87-A50-040-010		COIL,2.2MH
C833	87-010-405-080		CAP, ELECT 10-50V	L602	88-JBJ-625-010		COIL,HLC-ELH5L4120N
C834	87-010-382-080		CAP, E 22-25V	L801	87-A50-170-010		COIL,390UH RCH106
C835	87-010-384-080		CAP,E 100-25 V	△ LF801	87-JB8-651-010		FLTR,LINE SS24H-K15070
C901	87-010-405-080		CAP, ELECT 10-50V	△ PR801	87-A90-090-080		PROTECTOR,1.5A 491SERIES 60V
C902	87-010-401-080		CAP, ELECT 1-50V	△ PR803	87-A90-094-080		PROTECTOR,4A 491SERIES 60V
C903	87-010-401-080		CAP, ELECT 1-50V	△ PR804	87-A90-094-080		PROTECTOR,4A 491SERIES 60V
C904	87-010-221-080		CAP, ELECT 470-10V	△ PS801	87-A91-407-010		P-COUPLER,ON3171-R
C905	87-010-405-080		CAP, ELECT 10-50V	△ PS802	87-A91-407-010		P-COUPLER,ON3171-R
C906	87-010-405-080		CAP, ELECT 10-50V	△ PT801	8Z-JBB-621-010		PT,SW ZJB-KE-5 M
C907	87-010-405-080		CAP, ELECT 10-50V	R101	87-A00-164-090		RES,M/F 12K-2W J RSF(S)
C908	87-010-401-080		CAP, ELECT 1-50V	R123	87-010-260-080		CAP,E 47-25V
C909	87-010-401-080		CAP, ELECT 1-50V	R317	87-A00-308-090		RES,M/F 47-3W J RSF (S)
C910	87-010-401-080		CAP, ELECT 1-50V	R506	87-025-119-090		RES,M/F 560-1W J
C911	87-010-401-080		CAP, ELECT 1-50V	R511	87-025-119-090		RES,M/F 560-1W J
C912	87-010-260-080		CAP, ELECT 47-25V	R608	87-A00-721-090		RES,M/F 12-7W J RSFV7
C913	87-018-134-080		CAPACITOR,TC-U 0.01-16	R612	87-A00-225-090		RES,M/F 2.2K-5W J
C914	87-018-134-080		CAPACITOR,TC-U 0.01-16	R619	87-A00-200-090		RES,M/F 100-2W J
C915	87-018-133-080		CAP,TC U 4700P-16 NX	R802	87-A00-552-010		RES,CEM 1.0-10W J MPC722
C916	87-018-133-080		CAP,TC U 4700P-16 NX	R803	87-A00-552-010		RES,CEM 1.0-10W J MPC722
CF202	87-008-578-080		FLTR,TPS6.5MB2	R804	87-A00-543-080		RES,SD 8.2M-1W J RCR60
CF204	87-008-577-080		FLTR,TPS5.5MB2	R807	87-A00-639-090		RES,CEM 0.15-5W K BPR
CF207	87-008-575-080		FLTR,SF5H5.5MCB	R808	87-A00-573-090		RES,CEM 0.33-5W J MPC71
CF208	87-008-576-080		FLTR,SF5H6.5MCB	R816	87-A00-170-090		RES,M/F 82K-3W J RSF(S)
CN1	87-099-407-010		CONN,7P EH V WHT	R817	87-A00-223-090		RES,M/F 47K-2W J RSF(S)
CN102	87-010-384-080		CAP,E 100-25V	R827	87-A00-673-090		RES,M/F 82K-5W J RSS5L30
CN601	87-099-675-010		CONN,5P V V	R830	87-A00-158-090		RES,M/F 15-2W J RSF(S)
CN602	87-A60-485-010		CONN,2P V LV GRA	R936	87-A00-070-090		RES,M/F 220-1W J
△ CN801	87-099-674-010		CONN,2P VA V	△ R937	87-A00-070-090		RES,M/F 220-1W J
△ CN802	82-481-649-010		CONN, 2P V VT-50P	S1	87-A90-712-080		SW,TACT EVQ11L07K
CN901	87-049-469-010		CONN,4P V	S2	87-A90-712-080		SW,TACT EVQ11L07K
CNA301	84-LB2-631-010		CONN ASSY,5P TN-4	S3	87-A90-712-080		SW,TACT EVQ11L07K
CNA801	8Z-JB9-663-010		CONN ASSY,8P V AU PW 200	S4	87-A90-712-080		SW,TACT EVQ11L07K
CNA802	8Z-JB4-659-010		CONN ASSY,5P MAIN-NK 14"	S5	87-A90-712-080		SW,TACT EVQ11L07K
CNA901	8Z-JB9-662-010		CONN ASSY,6P V AU L/R 300	S6	87-A90-712-080		SW,TACT EVQ11L07K

REF. NO.	PART NO.	KANRI NO.	DESCRIPTION	REF. NO.	PART NO.	KANRI NO.	DESCRIPTION
△ S501	87-A90-567-010		SW,LVR 4-1-3 EVQRAAL10	C472	87-010-367-080		CAP,E 4.7-25 BP
△ S801	87-A91-410-010		SW,AC PUSH 1-1-1 ESB92SH1B	C475	87-010-379-080		CAP, ELECT 22-16V
△ SWF202	87-A90-337-010		FLTR,SAW OFW-K2959M	C476	87-010-400-080		CAP, ELECT 0.47-50V
△ T601	8Z-JBU-605-010		FBT, HFT3607 (SAN)14CC4-C	C477	87-010-400-080		CAP, ELECT 0.47-50V
△ T602	84-LB3-651-010		TRANS,HD MS-101N	C478	87-010-401-080		CAP, ELECT 1-50V
△ THP801	87-A91-405-010		POS-THMS,T209-B80-A10	C479	87-010-247-080		CAP, ELECT 100-50V
TU101	87-A91-495-010		TU UNIT, ENV59D58G3-38.0MHZ	C480	87-010-388-080		CAP ELECT 1000-25V SME
X1	87-030-300-080		VIB,XTAL 8.00MHZ	C481	87-010-388-080		CAP ELECT 1000-25V SME
X301	87-A70-054-080		VIB,XTAL 4.43MHZ AQC-1018	C482	87-010-401-080		CAP, ELECT 1-50V
				C483	87-010-247-080		CAP, ELECT 100-50V
AUDIO C.B				C484	87-A11-148-080		CAP,TC U 0.1-50 Z F
C401	87-010-402-080		CAP, ELECT 2.2-50V	C493	87-010-112-080		CAP, ELECT 100-16V
C402	87-010-260-080		CAP, ELECT 47-25V	C498	87-010-402-080		CAP, ELECT 2.2-50V
C403	87-018-134-080		CAPACITOR,TC-U 0.01-16	CN401	87-009-034-010		CONN,6P PH V
C405	87-010-402-080		CAP, ELECT 2.2-50V	CN402	87-009-038-010		CONN,10P V WHT
C406	87-010-405-080		CAP, ELECT 10-50V				
C407	87-A11-148-080		CAP,TC U 0.1-50 Z F	CN403	87-099-408-010		CONN,8P EH V WHT
C408	87-010-367-080		CAP,E 4.7-25 BP	CN404	87-009-195-010		CONN,5P B5BEH
C411	87-010-367-080		CAP,E 4.7-25 BP	FR996	87-A00-084-090		RES,FUSE 1-1W J
C412	87-010-405-080		CAP, ELECT 10-50V	FR997	87-A00-084-090		RES,FUSE 1-1W J
C413	87-A11-148-080		CAP,TC U 0.1-50 Z F	R401	87-025-381-080		RES,M/F 18K-1/6W F
C414	87-010-405-080		CAP, ELECT 10-50V				
C415	87-010-367-080		CAP,E 4.7-25 BP	R402	87-025-424-080		RES,M/F 10K 1/6W F
C418	87-010-367-080		CAP,E 4.7-25 BP	R404	87-025-380-080		RES,M/F 15K-1/6W F
C419	87-A11-148-080		CAP,TC U 0.1-50 Z F	R405	87-025-381-080		RES,M/F 18K-1/6W F
C420	87-010-260-080		CAP, ELECT 47-25V				
C421	87-010-260-080		CAP, ELECT 47-25V	NK C.B			
C422	87-018-134-080		CAPACITOR,TC-U 0.01-16	△ C551	87-010-976-080		CAP,CER 1000P-500 B
C426	87-A11-148-080		CAP,TC U 0.1-50 Z F	△ C552	87-012-397-010		CAP,CER 1000P-2K BN
C427	87-010-401-080		CAP, ELECT 1-50V	C553	87-018-127-080		CAP, CER 470P-50V
C428	87-018-134-080		CAPACITOR,TC-U 0.01-16	C554	87-018-127-080		CAP, CER 470P-50V
C429	87-010-263-080		CAP, ELECT 100-10V	C555	87-018-128-080		CAP,TC-U 560P-50 B
C433	87-A11-148-080		CAP,TC U 0.1-50 Z F				
C434	87-A11-148-080		CAP,TC U 0.1-50 Z F	C556	87-010-405-080		CAP, ELECT 10-50V
C435	87-010-260-080		CAP, ELECT 47-25V	C557	87-010-405-080		CAP, ELECT 10-50V
C436	87-018-119-080		CAP, CER 100P-50V	CN551	87-009-195-010		CONN,5P B5BEH
C437	87-018-119-080		CAP, CER 100P-50V	CN552	87-049-590-010		CONN,5P 8283 V WHT
C438	87-010-367-080		CAP,E 4.7-25 BP	CN553	87-A61-112-080		CONN,1P V BLU TP00704
C440	87-A11-147-080		CAP,TC U 0.047-50 Z F				
C442	87-A11-147-080		CAP,TC U 0.047-50 Z F	CN554	87-A61-060-080		CONN,1P V RED TP00706
C445	87-010-367-080		CAP,E 4.7-25 BP	L551	87-005-444-080		COIL 100UH,K
C446	87-010-101-080		CAP, ELECT 220-16	R551	87-A00-165-090		RES,M/F 15K-2W J RSF(S)
C447	87-A11-148-080		CAP,TC U 0.1-50 Z F	R552	87-A00-165-090		RES,M/F 15K-2W J RSF(S)
C467	87-010-367-080		CAP,E 4.7-25 BP	R553	87-A00-165-090		RES,M/F 15K-2W J RSF(S)
C470	87-010-112-080		CAP, ELECT 100-16V				
C471	87-A11-148-080		CAP,TC U 0.1-50 Z F	S0551	8Z-JB4-670-010		SOCKET,CRT 9P CVT3327 1603

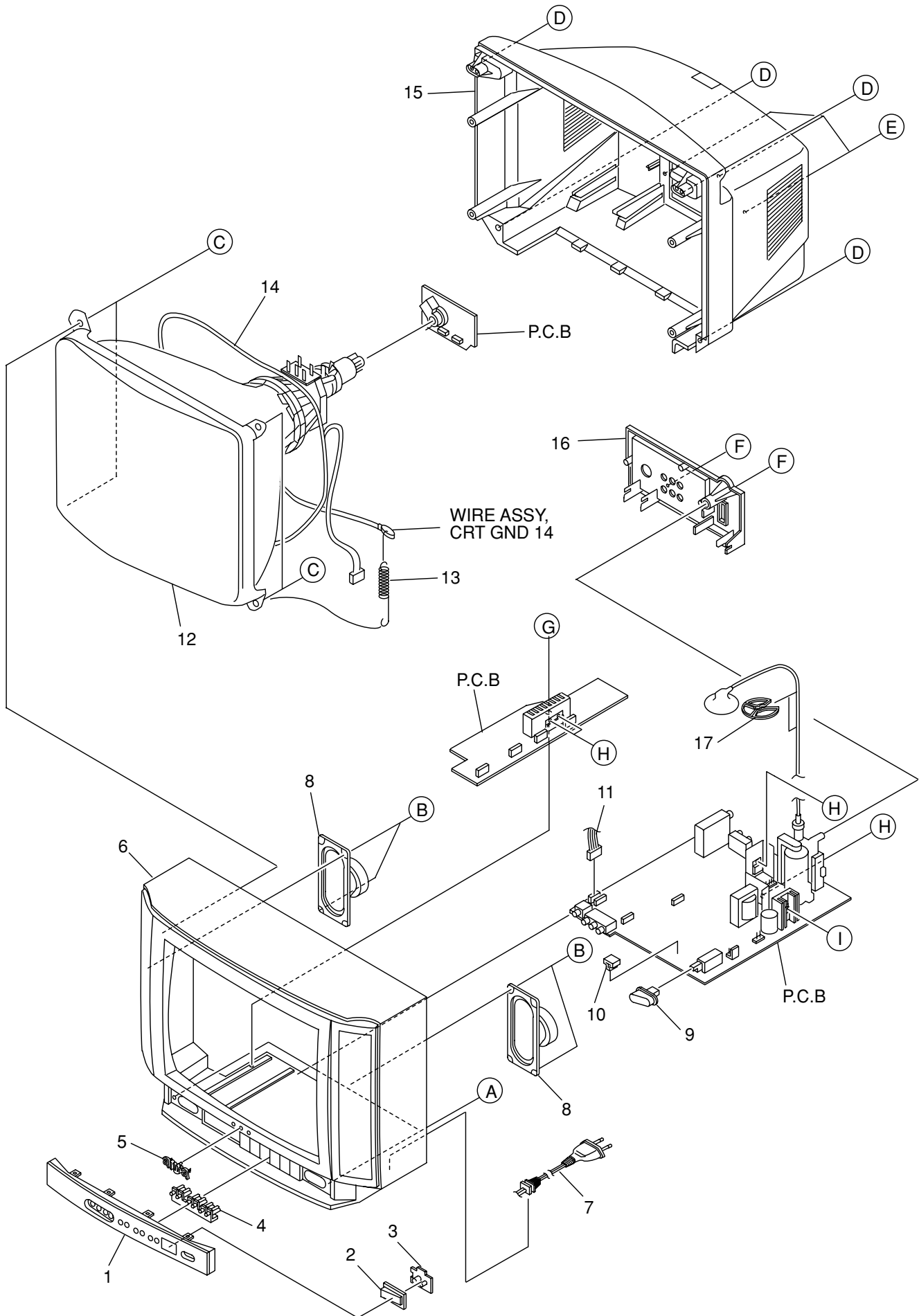
SCHEMATIC DIAGRAM - 1 (MAIN)





SIGNAL :
◀ : R, G, B OUTPUT
NOTE :
◀○ : WAVEFORM

MECHANICAL EXPLODED VIEW 1 / 1



MECHANICAL PARTS LIST 1 / 1

REF. NO.	PART NO.	KANRI NO.	DESCRIPTION
1	8Z-JBB-004-110		PANEL,MAIN A1410 KE<KERJ74M>
1	8Z-JBB-004-210		PANEL,MAIN A1410 KE<KERJL4M,KEJL6CM>
2	8Z-JBU-005-010		LENS,RC
3	8Z-JBU-006-010		LENS,LED
4	8Z-JBU-004-010		KEY,MAIN
5	87-054-087-010		BADGE,AIWA 40
6	8Z-JBU-001-210		CABI,FR<KERJ74M>
6	8Z-JBB-001-010		CABI,FR BL<KERJL4M,KEJL6CM>
7	8Z-JB4-695-010		AC CORD SET,EH BLK
8	8Z-JB7-620-010		SPKR,5*12 8OHM 7W
9	8Z-JBB-007-010		BTN,POWER SH
10	84-LB3-216-010		HLDL,LED
11	84-LB2-632-110		CONN ASSY,4P-SP-2
12	86-LB7-606-010		CRT,A34AGT13X79N<KERJ74M, KERJL4M>
12	86-LB7-608-010		CRT,A34JXV70X10N00<KEJL6CM>
13	84-LB3-205-010		SPR-E,EARTH
14	84-LB3-640-010		DGC, 14PAL3
15	8Z-JBU-002-010		CABI,REAR<KERJ74M>
15	8Z-JB7-002-010		CABI,REAR 2<KERJL4M,KEJL6CM>
16	8Z-JAH-010-010		PANEL,REAR NH
17	87-A90-332-010		HLDL,SF-2001 HV CABLE
A	87-067-680-010		BVI T3+3-10
B	87-078-070-010		BVIT3B+4-12
C	87-078-203-110		S-SCREW,W5-25
D	87-067-844-010		BVT2+4-16 BLK
E	87-B10-090-010		BVIT3B+3-12 GOLD<KERJ74M>
E	87-067-690-010		TAPPING SCREW, BVIT3+3-12<KERJL4M,KEJL6CM>
F	87-067-761-010		TAPPING SCREW, BVT2+3-10
G	87-067-758-010		BVT2+3-12 W/O SLOT
H	87-067-579-010		TAPPING SCREW, BVT2+3-8
I	87-067-690-010		TAPPING SCREW, BVIT3+3-12<KERJ74M>
I	87-B10-090-010		BVIT3B+3-12 GOLD<KERJL4M,KEJL6CM>

COLOR NAME TABLE

Basic color symbol	Color	Basic color symbol	Color	Basic color symbol	Color
B	Black	C	Cream	D	Orange
G	Green	H	Gray	L	Blue
LT	Transparent Blue	N	Gold	P	Pink
R	Red	S	Silver	ST	Titan Silver
T	Brown	V	Violet	W	White
WT	Transparent White	Y	Yellow	YT	Transparent Yellow
LM	Metallic Blue	LL	Light Blue	GT	Transparent Green
LD	Dark Blue	DT	Transparent Orange	GM	Metallic Green
YM	Metallic Yellow	DM	Metallic Orange		

アイワ株式会社 〒110-8710 東京都台東区池之端1-2-11 ☎03(3827)3111 (代表)
AIWA CO.,LTD. 2-11, IKENOHATA 1-CHOME, TAITO-KU, TOKYO 110, JAPAN TEL:03 (3827) 3111